

## BIONIQ ROUND ADJUSTABLE TRIMLESS

### A35527-

base number    Finishes (Diamond)    Ceiling Thickness    Reflector Options

- To build a product code in our configurator select the specify button on the base model # product page
- To build a manual product code on this datasheet choose from the options listed below in blue font and add the suffix to the base model #

#### GENERAL

Series: Bioniq  
 Subseries: Bioniq Round Adjustable  
 Brand: Prolicht  
 Division: Architectural  
 Mounting Type: Trimless  
 Mounting Location: Ceiling  
 Subcategory: Downlight

#### PHYSICAL

Shape: Round  
 Diameter (mm): 107  
 Diameter (in): 4 3/16  
 Height (mm): 112  
 Height (in): 4 7/16  
 Ceiling Thickness (mm): 10 / 12.5 / 15 / 25  
 Ceiling Thickness (in): 3/8 or 1/2 or 9/16 or 1  
 Min. Recessing Depth (mm): 130  
 Min. Recessing Depth (in): 5 1/8  
 Light Distribution: Adjustable / Downlight  
 Weight (kg): 0.583  
 Weight (lbs): 1.28  
 Fixture Finish: SSR / BKV / CWI / CRY / HAB / UFT / ITA / RUA / FTG / MYG / LOD / PUS / FRO / FUP / KIA / POP / BLS / SPG / MEY / GOH / GUM / CHC / COM / ABZ / JAG / OBR / MOS / ROR  
 Fixture Material: Aluminum Die Cast  
 Cut-out Measurements: Ø111mm/4 3/8"  
 Upon Request: Unique Ceiling Thickness

#### ELECTRICAL

Lamp Type: LED (Zhaga Standard)  
 Input Wattage (W): 16.5  
 Total Output Wattage (W): 14.7  
 Dimming: Dali Dimming  
 Driver Location: Recessed Housing  
 Driver Type: Constant Current - 120Vac  
 Driver Class: Class 2  
 Housing: See Components  
 Input Voltage (V): 120  
 Constant Current (MA): 350

#### LED

Number of LEDs: 1  
 Max. Delivered Lumen (lm): 770  
 Nominal Lumen (lm): 1140  
 CRI: >90 CRI  
 Lamp Life (hrs): 50000  
 Upon Request: RGB-W Tunable White Special Color Temperature Special LED

#### OPTICAL

Reflector: 20 / 40 / 60  
 Adjustability: Rotational 355°; Tilt 30°  
 Upon Request: Special Beam Angles

#### RATINGS AND CERTIFICATIONS

Certified By: Certified for North American Standards  
 IP rating: IP20



## BIONIQ ROUND ADJUSTABLE TRIMLESS

A35527-

PROJECT

TYPE

SPECIFIER

QUANTITY

DATE



PROJECT	
TYPE	
SPECIFIER	
QUANTITY	
DATE	

## BIONIQ ROUND SEMI ADJUSTABLE TRIMLESS

### A35528-

base number	Finishes (Diamond)	Ceiling Thickness	Reflector Options	Lens Options
-------------	-----------------------	----------------------	----------------------	-----------------

- To build a product code in our configurator select the specify button on the base model # product page
- To build a manual product code on this datasheet choose from the options listed below in blue font and add the suffix to the base model #

#### GENERAL

Series: Bioniq  
 Subseries: Bioniq Round Semi Adjustable  
 Brand: Prolicht  
 Division: Architectural  
 Mounting Type: Trimless  
 Mounting Location: Ceiling  
 Subcategory: Downlight

#### PHYSICAL

Shape: Round  
 Diameter (mm): 107  
 Diameter (in): 4 3/16  
 Height (mm): 130  
 Height (in): 5 1/8  
 Ceiling Thickness (mm): 10 / 12.5 / 15 / 25  
 Ceiling Thickness (in): 3/8 or 1/2 or 9/16 or 1  
 Min. Recessing Depth (mm): 150  
 Min. Recessing Depth (in): 5 7/8  
 Light Distribution: Downlight  
 Weight (kg): 0.646  
 Weight (lbs): 1.42  
 Fixture Finish: SSR / BKV / CWI / CRY / HAB / UFT / ITA / RUA / FTG / MYG / LOD / PUS / FRO / FUP / KIA / POP / BLS / SPG / MEY / GOH / GUM / CHC / COM / ABZ / JAG / OBR / MOS / ROR  
 Fixture Material: Aluminum Die Cast  
 Cut-out Measurements: Ø 111mm / 4 3/8"  
 Upon Request: Unique Ceiling Thickness

#### ELECTRICAL

Lamp Type: LED (Zhaga Standard)  
 Input Wattage (W): 15  
 Total Output Wattage (W): 14.7  
 Dimming: Dali Dimming  
 Driver Included: No  
 Driver Location: Recessed Housing  
 Driver Type: Constant Current - 120Vac  
 Driver Class: Class 2  
 Housing: See components  
 Input Voltage (V): 120  
 Constant Current (MA): 350

#### LED

Number of LEDs: 1  
 Color Temperature (°K): Warm Dim  
 Max. Delivered Lumen (lm): 766  
 Nominal Lumen (lm): 1140  
 CRI: >90 CRI  
 Lamp Life (hrs): 50000  
 Upon Request: RGB-W Tunable White Special Color Temperature Special LED

#### OPTICAL

Reflector°: 18 / 42 / 60  
 Optic°: Lens Pack - No Lens / Linear Spread Lens / Honeycomb / Spread Lens  
 Upon Request: Special Beam Angles

#### RATINGS AND CERTIFICATIONS

Certified By: Certified for North American Standards  
 Zaneen Group Inc. © 2024, T 1800-388-3382, F 416-247-9319, www.zaneen.com  
 IP Rating: IP20  
 Available for International specifications by adding "INT" at the end of the existing Model #. For assistance on 'custom' specifications, contact zteam@zaneen.com.  
 In a constant effort to supply the best product, we reserve the right to change specifications or materials without notice. The most recent specification sheets are found at zaneen.com



## BIONIQ ROUND SEMI ADJUSTABLE TRIMLESS

A35528-

PROJECT \_\_\_\_\_

TYPE \_\_\_\_\_

SPECIFIER \_\_\_\_\_

QUANTITY \_\_\_\_\_

DATE \_\_\_\_\_





PROJECT	
TYPE	
SPECIFIER	
QUANTITY	
DATE	

## BIONIQ ROUND SEMI ADJUSTABLE TRIMLESS

### A35529-

base number	Finishes (Diamond)	Ceiling Thickness	Reflector Options
-------------	-----------------------	----------------------	----------------------

- To build a product code in our configurator select the specify button on the base model # product page
- To build a manual product code on this datasheet choose from the options listed below in blue font and add the suffix to the base model #

#### GENERAL

Series: Bioniq
Subseries: Bioniq Round Semi Adjustable
Brand: Prolicht
Division: Architectural
Mounting Type: Trimless
Mounting Location: Ceiling
Subcategory: Downlight

#### PHYSICAL

Shape: Round
Diameter (mm): 107
Diameter (in): 4 3/16
Height (mm): 112
Height (in): 4 7/16
Ceiling Thickness (mm): 10 / 12.5 / 15 / 25
Ceiling Thickness (in): 3/8 or 1/2 or 9/16 or 1
Min. Recessing Depth (mm): 130
Min. Recessing Depth (in): 5 1/8
Light Distribution: Adjustable / Downlight
Weight (kg): 0.609
Weight (lbs): 1.34
Fixture Finish: SSR / BKV / CWI / CRY / HAB / UFT / ITA / RUA / FTG / MYG / LOD / PUS / FRO / FUP / KIA / POP / BLS / SPG / MEY / GOH / GUM / CHC / COM / ABZ / JAG / OBR / MOS / ROR
Fixture Material: Aluminum Die Cast
Cut-out Measurements: Ø 111mm / 4 3/8"
Upon Request: Unique Ceiling Thickness

#### ELECTRICAL

Lamp Type: LED (Zhaga Standard)
Input Wattage (W): 16.5
Total Output Wattage (W): 14.7
Dimming: Dali Dimming
Driver Included: No
Driver Location: Recessed Housing
Driver Type: Constant Current - 120Vac
Driver Class: Class 2
Housing: See Components
Input Voltage (V): 120
Constant Current (MA): 350

#### LED

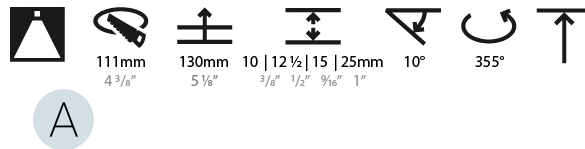
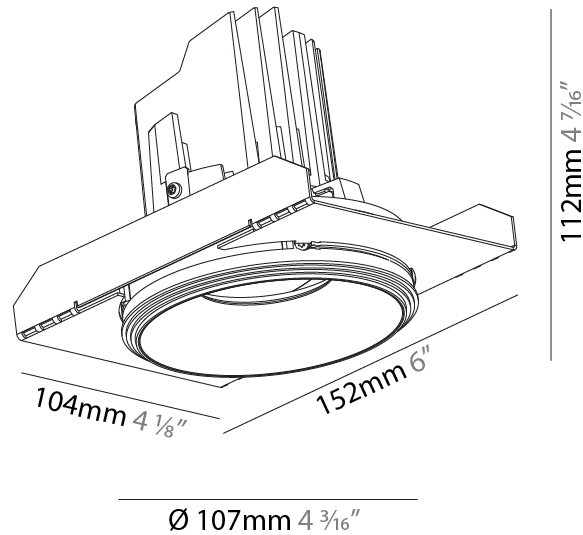
Number of LEDs: 1
Max. Delivered Lumen (lm): 770
Nominal Lumen (lm): 1140
CRI: >90 CRI
Lamp Life (hrs): 50000
Upon Request: RGB-W Tunable White Special Color Temperature Special LED

#### OPTICAL

Reflector: 20 / 40 / 60
Adjustability: Rotational 355°; Tilt 10°
Upon Request: Special Beam Angles

#### RATINGS AND CERTIFICATIONS

Certified By: Certified for North American Standards
IP rating: IP20



## BIONIQ ROUND SEMI ADJUSTABLE TRIMLESS

A35529-

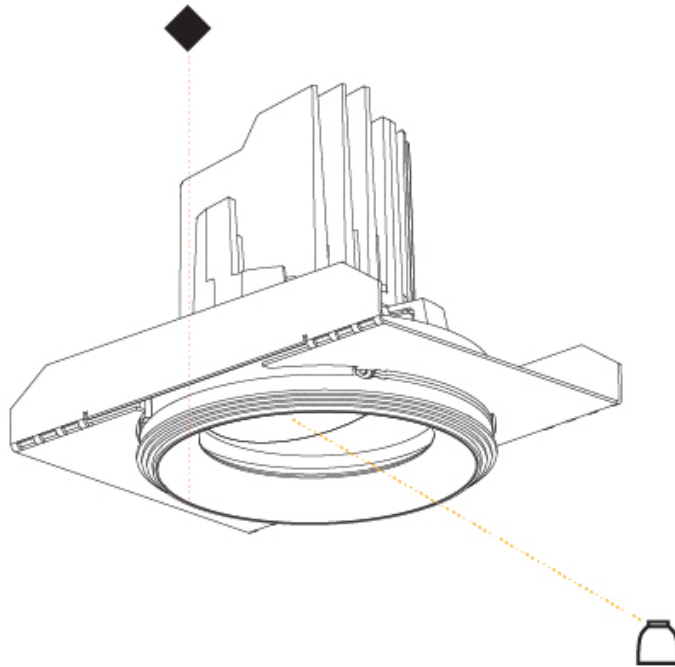
PROJECT

TYPE

SPECIFIER

QUANTITY

DATE



## BIONIQ SQUARE ADJUSTABLE TRIMLESS

### A35530-

base number    Finishes (Diamond)    Finishes (Triangle)    Ceiling Thickness    Reflector Options

- To build a product code in our configurator select the specify button on the base model # product page
- To build a manual product code on this datasheet choose from the options listed below in blue font and add the suffix to the base model #

#### GENERAL

Series: Bioniq  
 Subseries: Bioniq Square Adjustable  
 Brand: Prolicht  
 Division: Architectural  
 Mounting Type: Trimless  
 Mounting Location: Ceiling  
 Subcategory: Downlight

#### PHYSICAL

Shape: Square  
 Length (mm): 106  
 Length (in): 4 <sup>3</sup>/<sub>16</sub>  
 Width (mm): 106  
 Width (in): 4 <sup>3</sup>/<sub>16</sub>  
 Height (mm): 134  
 Height (in): 5 <sup>1</sup>/<sub>4</sub>  
 Ceiling Thickness (mm): 10 / 12.5 / 15 / 25  
 Ceiling Thickness (in): 3/8 or 1/2 or 9/16 or 1  
 Min. Recessing Depth (mm): 150  
 Min. Recessing Depth (in): 5 <sup>7</sup>/<sub>8</sub>  
 Light Distribution: Adjustable / Downlight  
 Weight (kg): 0.64  
 Weight (lbs): 1.41  
 Fixture Finish: SSR / BKV / CWI / CRY / HAB / UFT / ITA / RUA / FTG / MYG / LOD / PUS / FRO / FUP / KIA / POP / BLS / SPG / MEY / GOH / GUM / CHC / COM / ABZ / JAG / OBR / MOS / ROR  
 Fixture Material: Aluminum Die Cast  
 Cut-out Measurements: 120mm / 4 3/4" x 120mm / 4 3/4"  
 Upon Request: Unique Ceiling Thickness

#### ELECTRICAL

Lamp Type: LED (Zhaga Standard)  
 Input Wattage (W): 16.5  
 Total Output Wattage (W): 14.7  
 Dimming: Dali Dimming  
 Driver Included: No  
 Driver Location: Recessed Housing  
 Driver Type: Constant Current - 120Vac  
 Driver Class: Class 2  
 Housing: See Components  
 Input Voltage (V): 120  
 Constant Current (MA): 350

#### LED

Number of LEDs: 1  
 Max. Delivered Lumen (lm): 770  
 Nominal Lumen (lm): 1140  
 CRI: >90 CRI  
 Lamp Life (hrs): 50000  
 Upon Request: RGB-W Tunable White Special Color Temperature Special LED

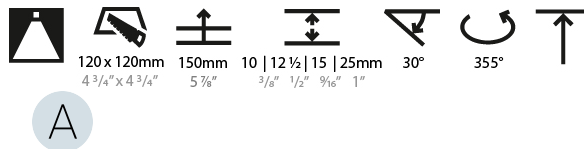
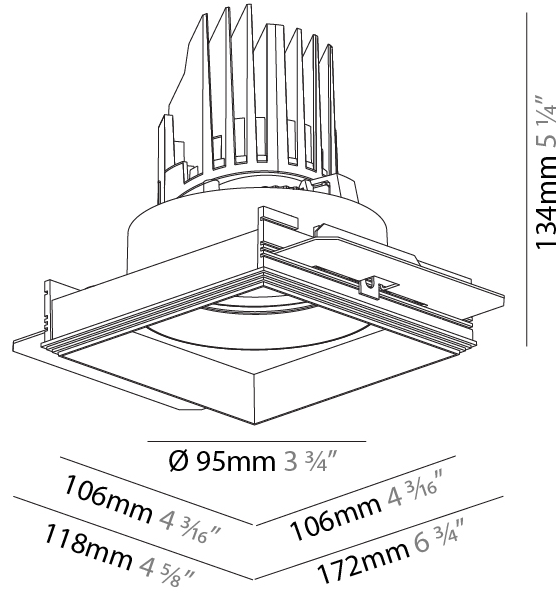
#### OPTICAL

Reflector°: 20 / 40 / 60  
 Adjustability: Rotational 355°; Tilt 30°  
 Upon Request: Special Beam Angles

#### RATINGS AND CERTIFICATIONS

Certified By: Certified for North American Standards  
 Zaneen Lighting Inc. © 2024, P.O. Box 3387, Fort St. Vrain, CO 80521, www.zaneen.com

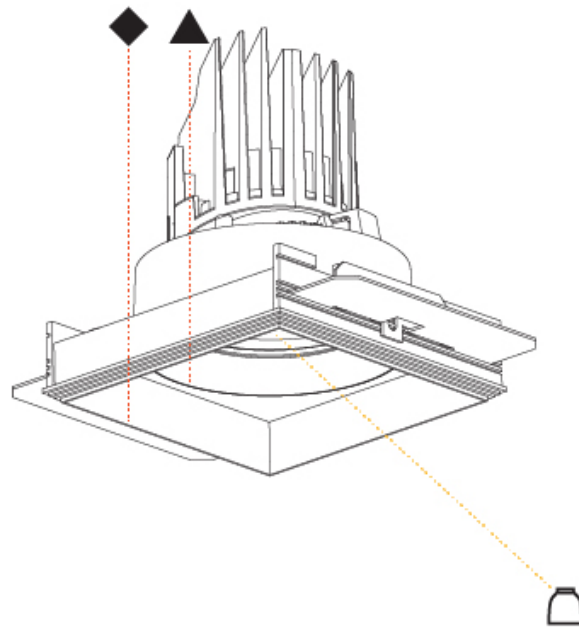
For international specifications by adding 'INT' at the end of the existing Model #. For assistance on 'custom' specifications, contact zteam@zaneen.com.  
 In a constant effort to supply the best product, we reserve the right to change specifications or materials without notice. The most recent specification sheets are found at zaneen.com



## BIONIQ SQUARE ADJUSTABLE TRIMLESS

A35530-

PROJECT	_____
TYPE	_____
SPECIFIER	_____
QUANTITY	_____
DATE	_____



## BIONIQ SQUARE ADJUSTABLE COMFORT TRIMLESS

**A35531-** \_\_\_\_\_  
 base number Finishes (Diamond) Finishes (Triangle) Finishes (Circle) Ceiling Thickness Reflector Options

- To build a product code in our configurator select the specify button on the base model # product page
- To build a manual product code on this datasheet choose from the options listed below in blue font and add the suffix to the base model #

### GENERAL

Series: Bioniq  
 Subseries: Bioniq Square Adjustable Comfort  
 Brand: Prolicht  
 Division: Architectural  
 Mounting Type: Trimless  
 Mounting Location: Ceiling  
 Subcategory: Downlight

### PHYSICAL

Shape: Square  
 Length (mm): 106  
 Length (in): 4 <sup>3</sup>/<sub>16</sub>  
 Width (mm): 106  
 Width (in): 4 <sup>3</sup>/<sub>16</sub>  
 Height (mm): 134  
 Height (in): 5 <sup>1</sup>/<sub>4</sub>  
 Ceiling Thickness (mm): 10 / 12.5 / 15 / 25  
 Ceiling Thickness (in): 3/8 or 1/2 or 9/16 or 1  
 Min. Recessing Depth (mm): 150  
 Min. Recessing Depth (in): 5 <sup>7</sup>/<sub>8</sub>  
 Light Distribution: Adjustable / Downlight  
 Weight (kg): 0.704  
 Weight (lbs): 1.55  
 Fixture Finish: SSR / BKV / CWI / CRY / HAB / UFT / ITA / RUA / FTG / MYG / LOD / PUS / FRO / FUP / KIA / POP / BLS / SPG / MEY / GOH / GUM / CHC / COM / ABZ / JAG / OBR / MOS / ROR  
 Fixture Material: Aluminum Die Cast

Cut-out Measurements: 120mm / 4 3/4" x 120mm / 4 3/4"  
 Upon Request: Unique Ceiling Thickness

### ELECTRICAL

Lamp Type: LED (Zhaga Standard)  
 Input Wattage (W): 16.5  
 Total Output Wattage (W): 14.7  
 Dimming: Dali Dimming  
 Driver Included: No  
 Driver Location: Recessed Housing  
 Driver Type: Constant Current - 120Vac  
 Driver Class: Class 2  
 Housing: See Components  
 Input Voltage (V): 120  
 Constant Current (MA): 350

### LED

Number of LEDs: 1  
 Max. Delivered Lumen (lm): 770  
 Nominal Lumen (lm): 1140  
 CRI: >90 CRI  
 Lamp Life (hrs): 50000  
 Upon Request: RGB-W Tunable White Special Color Temperature Special LED

### OPTICAL

Reflector: 20 / 40 / 60  
 Adjustability: Rotational 355°; Tilt 30°  
 Upon Request: Special Beam Angles

### RATINGS AND CERTIFICATIONS

UL Listed, ENEC Approved, CE, RoHS, Energy Star, DALI, DALI-2, DALI-2/2.0, DALI-2/2.1, DALI-2/2.2, DALI-2/2.3, DALI-2/2.4, DALI-2/2.5, DALI-2/2.6, DALI-2/2.7, DALI-2/2.8, DALI-2/2.9, DALI-2/3.0, DALI-2/3.1, DALI-2/3.2, DALI-2/3.3, DALI-2/3.4, DALI-2/3.5, DALI-2/3.6, DALI-2/3.7, DALI-2/3.8, DALI-2/3.9, DALI-2/4.0, DALI-2/4.1, DALI-2/4.2, DALI-2/4.3, DALI-2/4.4, DALI-2/4.5, DALI-2/4.6, DALI-2/4.7, DALI-2/4.8, DALI-2/4.9, DALI-2/5.0, DALI-2/5.1, DALI-2/5.2, DALI-2/5.3, DALI-2/5.4, DALI-2/5.5, DALI-2/5.6, DALI-2/5.7, DALI-2/5.8, DALI-2/5.9, DALI-2/6.0, DALI-2/6.1, DALI-2/6.2, DALI-2/6.3, DALI-2/6.4, DALI-2/6.5, DALI-2/6.6, DALI-2/6.7, DALI-2/6.8, DALI-2/6.9, DALI-2/7.0, DALI-2/7.1, DALI-2/7.2, DALI-2/7.3, DALI-2/7.4, DALI-2/7.5, DALI-2/7.6, DALI-2/7.7, DALI-2/7.8, DALI-2/7.9, DALI-2/8.0, DALI-2/8.1, DALI-2/8.2, DALI-2/8.3, DALI-2/8.4, DALI-2/8.5, DALI-2/8.6, DALI-2/8.7, DALI-2/8.8, DALI-2/8.9, DALI-2/9.0, DALI-2/9.1, DALI-2/9.2, DALI-2/9.3, DALI-2/9.4, DALI-2/9.5, DALI-2/9.6, DALI-2/9.7, DALI-2/9.8, DALI-2/9.9, DALI-2/10.0, DALI-2/10.1, DALI-2/10.2, DALI-2/10.3, DALI-2/10.4, DALI-2/10.5, DALI-2/10.6, DALI-2/10.7, DALI-2/10.8, DALI-2/10.9, DALI-2/11.0, DALI-2/11.1, DALI-2/11.2, DALI-2/11.3, DALI-2/11.4, DALI-2/11.5, DALI-2/11.6, DALI-2/11.7, DALI-2/11.8, DALI-2/11.9, DALI-2/12.0, DALI-2/12.1, DALI-2/12.2, DALI-2/12.3, DALI-2/12.4, DALI-2/12.5, DALI-2/12.6, DALI-2/12.7, DALI-2/12.8, DALI-2/12.9, DALI-2/13.0, DALI-2/13.1, DALI-2/13.2, DALI-2/13.3, DALI-2/13.4, DALI-2/13.5, DALI-2/13.6, DALI-2/13.7, DALI-2/13.8, DALI-2/13.9, DALI-2/14.0, DALI-2/14.1, DALI-2/14.2, DALI-2/14.3, DALI-2/14.4, DALI-2/14.5, DALI-2/14.6, DALI-2/14.7, DALI-2/14.8, DALI-2/14.9, DALI-2/15.0, DALI-2/15.1, DALI-2/15.2, DALI-2/15.3, DALI-2/15.4, DALI-2/15.5, DALI-2/15.6, DALI-2/15.7, DALI-2/15.8, DALI-2/15.9, DALI-2/16.0, DALI-2/16.1, DALI-2/16.2, DALI-2/16.3, DALI-2/16.4, DALI-2/16.5, DALI-2/16.6, DALI-2/16.7, DALI-2/16.8, DALI-2/16.9, DALI-2/17.0, DALI-2/17.1, DALI-2/17.2, DALI-2/17.3, DALI-2/17.4, DALI-2/17.5, DALI-2/17.6, DALI-2/17.7, DALI-2/17.8, DALI-2/17.9, DALI-2/18.0, DALI-2/18.1, DALI-2/18.2, DALI-2/18.3, DALI-2/18.4, DALI-2/18.5, DALI-2/18.6, DALI-2/18.7, DALI-2/18.8, DALI-2/18.9, DALI-2/19.0, DALI-2/19.1, DALI-2/19.2, DALI-2/19.3, DALI-2/19.4, DALI-2/19.5, DALI-2/19.6, DALI-2/19.7, DALI-2/19.8, DALI-2/19.9, DALI-2/20.0, DALI-2/20.1, DALI-2/20.2, DALI-2/20.3, DALI-2/20.4, DALI-2/20.5, DALI-2/20.6, DALI-2/20.7, DALI-2/20.8, DALI-2/20.9, DALI-2/21.0, DALI-2/21.1, DALI-2/21.2, DALI-2/21.3, DALI-2/21.4, DALI-2/21.5, DALI-2/21.6, DALI-2/21.7, DALI-2/21.8, DALI-2/21.9, DALI-2/22.0, DALI-2/22.1, DALI-2/22.2, DALI-2/22.3, DALI-2/22.4, DALI-2/22.5, DALI-2/22.6, DALI-2/22.7, DALI-2/22.8, DALI-2/22.9, DALI-2/23.0, DALI-2/23.1, DALI-2/23.2, DALI-2/23.3, DALI-2/23.4, DALI-2/23.5, DALI-2/23.6, DALI-2/23.7, DALI-2/23.8, DALI-2/23.9, DALI-2/24.0, DALI-2/24.1, DALI-2/24.2, DALI-2/24.3, DALI-2/24.4, DALI-2/24.5, DALI-2/24.6, DALI-2/24.7, DALI-2/24.8, DALI-2/24.9, DALI-2/25.0, DALI-2/25.1, DALI-2/25.2, DALI-2/25.3, DALI-2/25.4, DALI-2/25.5, DALI-2/25.6, DALI-2/25.7, DALI-2/25.8, DALI-2/25.9, DALI-2/26.0, DALI-2/26.1, DALI-2/26.2, DALI-2/26.3, DALI-2/26.4, DALI-2/26.5, DALI-2/26.6, DALI-2/26.7, DALI-2/26.8, DALI-2/26.9, DALI-2/27.0, DALI-2/27.1, DALI-2/27.2, DALI-2/27.3, DALI-2/27.4, DALI-2/27.5, DALI-2/27.6, DALI-2/27.7, DALI-2/27.8, DALI-2/27.9, DALI-2/28.0, DALI-2/28.1, DALI-2/28.2, DALI-2/28.3, DALI-2/28.4, DALI-2/28.5, DALI-2/28.6, DALI-2/28.7, DALI-2/28.8, DALI-2/28.9, DALI-2/29.0, DALI-2/29.1, DALI-2/29.2, DALI-2/29.3, DALI-2/29.4, DALI-2/29.5, DALI-2/29.6, DALI-2/29.7, DALI-2/29.8, DALI-2/29.9, DALI-2/30.0, DALI-2/30.1, DALI-2/30.2, DALI-2/30.3, DALI-2/30.4, DALI-2/30.5, DALI-2/30.6, DALI-2/30.7, DALI-2/30.8, DALI-2/30.9, DALI-2/31.0, DALI-2/31.1, DALI-2/31.2, DALI-2/31.3, DALI-2/31.4, DALI-2/31.5, DALI-2/31.6, DALI-2/31.7, DALI-2/31.8, DALI-2/31.9, DALI-2/32.0, DALI-2/32.1, DALI-2/32.2, DALI-2/32.3, DALI-2/32.4, DALI-2/32.5, DALI-2/32.6, DALI-2/32.7, DALI-2/32.8, DALI-2/32.9, DALI-2/33.0, DALI-2/33.1, DALI-2/33.2, DALI-2/33.3, DALI-2/33.4, DALI-2/33.5, DALI-2/33.6, DALI-2/33.7, DALI-2/33.8, DALI-2/33.9, DALI-2/34.0, DALI-2/34.1, DALI-2/34.2, DALI-2/34.3, DALI-2/34.4, DALI-2/34.5, DALI-2/34.6, DALI-2/34.7, DALI-2/34.8, DALI-2/34.9, DALI-2/35.0, DALI-2/35.1, DALI-2/35.2, DALI-2/35.3, DALI-2/35.4, DALI-2/35.5, DALI-2/35.6, DALI-2/35.7, DALI-2/35.8, DALI-2/35.9, DALI-2/36.0, DALI-2/36.1, DALI-2/36.2, DALI-2/36.3, DALI-2/36.4, DALI-2/36.5, DALI-2/36.6, DALI-2/36.7, DALI-2/36.8, DALI-2/36.9, DALI-2/37.0, DALI-2/37.1, DALI-2/37.2, DALI-2/37.3, DALI-2/37.4, DALI-2/37.5, DALI-2/37.6, DALI-2/37.7, DALI-2/37.8, DALI-2/37.9, DALI-2/38.0, DALI-2/38.1, DALI-2/38.2, DALI-2/38.3, DALI-2/38.4, DALI-2/38.5, DALI-2/38.6, DALI-2/38.7, DALI-2/38.8, DALI-2/38.9, DALI-2/39.0, DALI-2/39.1, DALI-2/39.2, DALI-2/39.3, DALI-2/39.4, DALI-2/39.5, DALI-2/39.6, DALI-2/39.7, DALI-2/39.8, DALI-2/39.9, DALI-2/40.0, DALI-2/40.1, DALI-2/40.2, DALI-2/40.3, DALI-2/40.4, DALI-2/40.5, DALI-2/40.6, DALI-2/40.7, DALI-2/40.8, DALI-2/40.9, DALI-2/41.0, DALI-2/41.1, DALI-2/41.2, DALI-2/41.3, DALI-2/41.4, DALI-2/41.5, DALI-2/41.6, DALI-2/41.7, DALI-2/41.8, DALI-2/41.9, DALI-2/42.0, DALI-2/42.1, DALI-2/42.2, DALI-2/42.3, DALI-2/42.4, DALI-2/42.5, DALI-2/42.6, DALI-2/42.7, DALI-2/42.8, DALI-2/42.9, DALI-2/43.0, DALI-2/43.1, DALI-2/43.2, DALI-2/43.3, DALI-2/43.4, DALI-2/43.5, DALI-2/43.6, DALI-2/43.7, DALI-2/43.8, DALI-2/43.9, DALI-2/44.0, DALI-2/44.1, DALI-2/44.2, DALI-2/44.3, DALI-2/44.4, DALI-2/44.5, DALI-2/44.6, DALI-2/44.7, DALI-2/44.8, DALI-2/44.9, DALI-2/45.0, DALI-2/45.1, DALI-2/45.2, DALI-2/45.3, DALI-2/45.4, DALI-2/45.5, DALI-2/45.6, DALI-2/45.7, DALI-2/45.8, DALI-2/45.9, DALI-2/46.0, DALI-2/46.1, DALI-2/46.2, DALI-2/46.3, DALI-2/46.4, DALI-2/46.5, DALI-2/46.6, DALI-2/46.7, DALI-2/46.8, DALI-2/46.9, DALI-2/47.0, DALI-2/47.1, DALI-2/47.2, DALI-2/47.3, DALI-2/47.4, DALI-2/47.5, DALI-2/47.6, DALI-2/47.7, DALI-2/47.8, DALI-2/47.9, DALI-2/48.0, DALI-2/48.1, DALI-2/48.2, DALI-2/48.3, DALI-2/48.4, DALI-2/48.5, DALI-2/48.6, DALI-2/48.7, DALI-2/48.8, DALI-2/48.9, DALI-2/49.0, DALI-2/49.1, DALI-2/49.2, DALI-2/49.3, DALI-2/49.4, DALI-2/49.5, DALI-2/49.6, DALI-2/49.7, DALI-2/49.8, DALI-2/49.9, DALI-2/50.0, DALI-2/50.1, DALI-2/50.2, DALI-2/50.3, DALI-2/50.4, DALI-2/50.5, DALI-2/50.6, DALI-2/50.7, DALI-2/50.8, DALI-2/50.9, DALI-2/51.0, DALI-2/51.1, DALI-2/51.2, DALI-2/51.3, DALI-2/51.4, DALI-2/51.5, DALI-2/51.6, DALI-2/51.7, DALI-2/51.8, DALI-2/51.9, DALI-2/52.0, DALI-2/52.1, DALI-2/52.2, DALI-2/52.3, DALI-2/52.4, DALI-2/52.5, DALI-2/52.6, DALI-2/52.7, DALI-2/52.8, DALI-2/52.9, DALI-2/53.0, DALI-2/53.1, DALI-2/53.2, DALI-2/53.3, DALI-2/53.4, DALI-2/53.5, DALI-2/53.6, DALI-2/53.7, DALI-2/53.8, DALI-2/53.9, DALI-2/54.0, DALI-2/54.1, DALI-2/54.2, DALI-2/54.3, DALI-2/54.4, DALI-2/54.5, DALI-2/54.6, DALI-2/54.7, DALI-2/54.8, DALI-2/54.9, DALI-2/55.0, DALI-2/55.1, DALI-2/55.2, DALI-2/55.3, DALI-2/55.4, DALI-2/55.5, DALI-2/55.6, DALI-2/55.7, DALI-2/55.8, DALI-2/55.9, DALI-2/56.0, DALI-2/56.1, DALI-2/56.2, DALI-2/56.3, DALI-2/56.4, DALI-2/56.5, DALI-2/56.6, DALI-2/56.7, DALI-2/56.8, DALI-2/56.9, DALI-2/57.0, DALI-2/57.1, DALI-2/57.2, DALI-2/57.3, DALI-2/57.4, DALI-2/57.5, DALI-2/57.6, DALI-2/57.7, DALI-2/57.8, DALI-2/57.9, DALI-2/58.0, DALI-2/58.1, DALI-2/58.2, DALI-2/58.3, DALI-2/58.4, DALI-2/58.5, DALI-2/58.6, DALI-2/58.7, DALI-2/58.8, DALI-2/58.9, DALI-2/59.0, DALI-2/59.1, DALI-2/59.2, DALI-2/59.3, DALI-2/59.4, DALI-2/59.5, DALI-2/59.6, DALI-2/59.7, DALI-2/59.8, DALI-2/59.9, DALI-2/60.0, DALI-2/60.1, DALI-2/60.2, DALI-2/60.3, DALI-2/60.4, DALI-2/60.5, DALI-2/60.6, DALI-2/60.7, DALI-2/60.8, DALI-2/60.9, DALI-2/61.0, DALI-2/61.1, DALI-2/61.2, DALI-2/61.3, DALI-2/61.4, DALI-2/61.5, DALI-2/61.6, DALI-2/61.7, DALI-2/61.8, DALI-2/61.9, DALI-2/62.0, DALI-2/62.1, DALI-2/62.2, DALI-2/62.3, DALI-2/62.4, DALI-2/62.5, DALI-2/62.6, DALI-2/62.7, DALI-2/62.8, DALI-2/62.9, DALI-2/63.0, DALI-2/63.1, DALI-2/63.2, DALI-2/63.3, DALI-2/63.4, DALI-2/63.5, DALI-2/63.6, DALI-2/63.7, DALI-2/63.8, DALI-2/63.9, DALI-2/64.0, DALI-2/64.1, DALI-2/64.2, DALI-2/64.3, DALI-2/64.4, DALI-2/64.5, DALI-2/64.6, DALI-2/64.7, DALI-2/64.8, DALI-2/64.9, DALI-2/65.0, DALI-2/65.1, DALI-2/65.2, DALI-2/65.3, DALI-2/65.4, DALI-2/65.5, DALI-2/65.6, DALI-2/65.7, DALI-2/65.8, DALI-2/65.9, DALI-2/66.0, DALI-2/66.1, DALI-2/66.2, DALI-2/66.3, DALI-2/66.4, DALI-2/66.5, DALI-2/66.6, DALI-2/66.7, DALI-2/66.8, DALI-2/66.9, DALI-2/67.0, DALI-2/67.1, DALI-2/67.2, DALI-2/67.3, DALI-2/67.4, DALI-2/67.5, DALI-2/67.6, DALI-2/67.7, DALI-2/67.8, DALI-2/67.9, DALI-2/68.0, DALI-2/68.1, DALI-2/68.2, DALI-2/68.3, DALI-2/68.4, DALI-2/68.5, DALI-2/68.6, DALI-2/68.7, DALI-2/68.8, DALI-2/68.9, DALI-2/69.0, DALI-2/69.1, DALI-2/69.2, DALI-2/69.3, DALI-2/69.4, DALI-2/69.5, DALI-2/69.6, DALI-2/69.7, DALI-2/69.8, DALI-2/69.9, DALI-2/70.0, DALI-2/70.1, DALI-2/70.2, DALI-2/70.3, DALI-2/70.4, DALI-2/70.5, DALI-2/70.6, DALI-2/70.7, DALI-2/70.8, DALI-2/70.9, DALI-2/71.0, DALI-2/71.1, DALI-2/71.2, DALI-2/71.3, DALI-2/71.4, DALI-2/71.5, DALI-2/71.6, DALI-2/71.7, DALI-2/71.8, DALI-2/71.9, DALI-2/72.0, DALI-2/72.1, DALI-2/72.2, DALI-2/72.3, DALI-2/72.4, DALI-2/72.5, DALI-2/72.6, DALI-2/72.7, DALI-2/72.8, DALI-2/72.9, DALI-2/73.0, DALI-2/73.1, DALI-2/73.2, DALI-2/73.3, DALI-2/73.4, DALI-2/73.5, DALI-2/73.6, DALI-2/73.7, DALI-2/73.8, DALI-2/73.9, DALI-2/74.0, DALI-2/74.1, DALI-2/74.2, DALI-2/74.3, DALI-2/74.4, DALI-2/74.5, DALI-2/74.6, DALI-2/74.7, DALI-2/74.8, DALI-2/74.9, DALI-2/75.0, DALI-2/75.1, DALI-2/75.2, DALI-2/75.3, DALI-2/75.4, DALI-2/75.5, DALI-2/75.6, DALI-2/75.7, DALI-2/75.8, DALI-2/75.9, DALI-2/76.0, DALI-2/76.1, DALI-2/76.2, DALI-2/76.3, DALI-2/76.4, DALI-2/76.5, DALI-2/76.6, DALI-2/76.7, DALI-2/76.8, DALI-2/76.9, DALI-2/77.0, DALI-2/77.1, DALI-2/77.2, DALI-2/77.3, DALI-2/77.4, DALI-2/77.5, DALI-2/77.6, DALI-2/77.7, DALI-2/77.8, DALI-2/77.9, DALI-2/78.0, DALI-2/78.1, DALI-2/78.2, DALI-2/78.3, DALI-2/78.4, DALI-2/78.5, DALI-2/78.6, DALI-2/78.7, DALI-2/78.8, DALI-2/78.9, DALI-2/79.0, DALI-2/79.1, DALI-2/79.2, DALI-2/79.3, DALI-2/79.4, DALI-2/79.5, DALI-2/79.6, DALI-2/79.7, DALI-2/79.8, DALI-2/79.9, DALI-2/80.0, DALI-2/80.1, DALI-2/80.2, DALI-2/80.3, DALI-2/80.4, DALI-2/80.5, DALI-2/80.6, DALI-2/80.7, DALI-2/80.8, DALI-2/80.9, DALI-2/81.0, DALI-2/81.1, DALI-2/81.2, DALI-2/81.3, DALI-2/81.4, DALI-2/81.5, DALI-2/81.6, DALI-2/81.7, DALI-2/81.8, DALI-2/81.9, DALI-2/82.0, DALI-2/82.1, DALI-2/82.2, DALI-2/82.3, DALI-2/82.4, DALI-2/82.5, DALI-2/82.6, DALI-2/82.7, DALI-2/82.8, DALI-2/82.9, DALI-2/83.0, DALI-2/83.1, DALI-2/83.2, DALI-2/83.3, DALI-2/83.4, DALI-2/83.5, DALI-2/83.6, DALI-2/83.7, DALI-2/83.8, DALI-2/83.9, DALI-2/84.0, DALI-2/84.1, DALI-2/84.2, DALI-2/84.3, DALI-2/84.4, DALI-2/84.5, DALI-2/84.6, DALI-2/84.7, DALI-2/84.8, DALI-2/84.9, DALI-2/85.0, DALI-2/85.1, DALI-2/85.2, DALI-2/85.3, DALI-2/85.4, DALI-2/85.5, DALI-2/85.6, DALI-2/85.7, DALI-2/85.8, DALI-2/85.9, DALI-2/86.0, DALI-2/86.1, DALI-2/86.2, DALI-2/86.3, DALI-2/86.4, DALI-2/86.5, DALI-2/86.6, DALI-2/86.7, DALI-2/86.8, DALI-2/86.9, DALI-2/87.0, DALI-2/87.1, DALI-2/87.2, DALI-2/87.3, DALI-2/87.4, DALI-2/87.5, DALI-2/87.6, DALI-2/87.7, DALI-2/87.8, DALI-2/87.9, DALI-2/88.0, DALI-2/88.1, DALI-2/88.2, DALI-2/88.3, DALI-2/88.4, DALI-2/88.5, DALI-2/88.6, DALI-2/88.7, DALI-2/88.8, DALI-2/88.9, DALI-2/89.0, DALI-2/89.1, DALI-2/89.2, DALI-2/89.3, DALI-2/89.4, DALI-2/89.5, DALI-2/89.6, DALI-2/89.7, DALI-2/89.8, DALI-2/89.9, DALI-2/90.0, DALI-2/90.1, DALI-2/90.2, DALI-2/90.3, DALI-2/90.4, DALI-2/90.5, DALI-2/90.6, DALI-2/90.7, DALI-2/90.8, DALI-2/90.9, DALI-2/91.0, DALI-2/91.1, DALI-2/91.2, DALI-2/91.3, DALI-2/91.4, DALI-2/91.5, DALI-2/91.6, DALI-2/91.7, DALI-2/91.8, DALI-2/91.9, DALI-2/92.0, DALI-2/92.1, DALI-2/92.2, DALI-2/92.3, DALI-2/92.4, DALI-2/92.5, DALI-2/92.6, DALI-2/92.7, DALI-2/92.8, DALI-2/92.9, DALI-2/93.0, DALI-2/93.1, DALI-2/93.2, DALI-2/93.3, DALI-2/93.4, DALI-2/93.5, DALI-2/93.6, DALI-2/93.7, DALI-2/93.8, DALI-2/93.9, DALI-2/94.0, DALI-2/94.1, DALI-2/94.2, DALI-2/94.3, DALI-2/94.4, DALI-2/94.5, DALI-2/94.6, DALI-2/94.7, DALI-2/94.8, DALI-2/94.9, DALI-2/95.0, DALI-2/95.1, DALI-2/95.2, DALI-2/95.3, DALI-2/95.4, DALI-2/95.5, DALI-2/95.6, DALI-2/95.7, DALI-2/95.8, DALI-2/95.9, DALI-2/96.0, DALI-2/96.1, DALI-2/96.2, DALI-2/96.3, DALI-2/96.4, DALI-2/96.5, DALI-2/96.6, DALI-2/96.7, DALI-2/96.8, DALI-2/96.9, DALI-2/97.0, DALI-2/97.1, DALI-2/97.2, DALI-2/97.3, DALI-2/97.4, DALI-2/97.5, DALI-2/97.6, DALI-2/97.7, DALI-2/97.8, DALI-2/97.9, DALI-2/98.0, DALI-2/98.1, DALI-2/98.2, DALI-2/98.3, DALI-2/98.4, DALI-2/98.5, DALI-2/98.6, DALI-2/98.7, DALI-2/98.8, DALI-2/98.9, DALI-2/99.0, DALI-2/99.1, DALI-2/99.2, DALI-2/99.3, DALI-2/99.4, DALI-2/99.5, DALI-2/99.6, DALI-2/99.7, DALI-2/99.8, DALI-2/99.9, DALI-2/100.0, DALI-2/100.1, DALI-2/100.2, DALI-2/100.3, DALI-2/100.4, DALI-2/100.5, DALI-2/100.6, DALI-2/100.7, DALI-2/100.8, DALI-2/100.9, DALI-2/101.0, DALI-2/101.1, DALI-2/101.2, DALI-2/101.3, DALI-2/101.4, DALI-2/101.5, DALI-2/101.6, DALI-2/101.7, DALI-2/101.8, DALI-2/101.9, DALI-2/102.0, DALI-2/102.1, DALI-2/102.2, DALI-2/102.3, DALI-2/102.4, DALI-2/102.5, DALI-2/102.6, DALI-2/102.7, DALI-2/102.8, DALI-2/102.9, DALI-2/103.0, DALI-2/103.1, DALI-2/103.2, DALI-2/103.3, DALI-2/103.4, DALI-2/103.5, DALI-2/103.6, DALI-2/103.7, DALI-2/103.8, DALI-2/103.9, DALI-2/104.0, DALI-2/104.1, DALI-2/104.2, DALI-2/104.3, DALI-2/104.4, DALI-2/104.5, DALI-2/104.6, DALI-2/104.7, DALI-2/104.8, DALI-2/104.9, DALI-2/105.0, DALI-2/105.1, DALI-2/105.2, DALI-2/105.3, DALI-2/105.4, DALI-2/105.5, DALI-2/105.6, DALI-2/105.7, DALI-2/105.8, DALI-2/105.9, DALI-2/106.0, DALI-2/106.1, DALI-2/106.2, DALI-2/106.3, DALI-2/106.4, DALI-2/106.5, DALI-2/106.6, DALI-2/106.7, DALI-2/106.8, DALI-2/106.9, DALI-2/107.0, DALI-2/107.1, DALI-2/107.2, DALI-2/107.3, DALI-2/107.4, DALI-2/107.5, DALI-2/107.6, DALI-2/107.7, DALI-2/107.8, DALI-2/107.9, DALI-2/108.0, DALI-2/108.1, DALI-2/108.2, DALI-2/108.3, DALI-2/108.4, DALI-2/108.5, DALI-2/108.6, DALI-2/108.7, DALI-2/108.8, DALI-2/108.9, DALI-2/109.0, DALI-2/109.1, DALI-2/109.2, DALI-2/109.3, DALI-2/109.4, DALI-2/109.5, DALI-2/109.6, DALI-2/109.7, DALI-2/109.8, DALI-2/109.9, DALI-2/

## BIONIQ SQUARE ADJUSTABLE COMFORT TRIMLESS

A35531-

PROJECT

TYPE

SPECIFIER

QUANTITY

DATE



PROJECT	_____
TYPE	_____
SPECIFIER	_____
QUANTITY	_____
DATE	_____

## BIONIQ SQUARE DEEP TRIMLESS

### A35532-

base number	Finishes (Diamond)	Finishes (Triangle)	Ceiling Thickness	Reflector Options
-------------	-----------------------	------------------------	----------------------	----------------------

- To build a product code in our configurator select the specify button on the base model # product page
- To build a manual product code on this datasheet choose from the options listed below in blue font and add the suffix to the base model #

#### GENERAL

Series: Bioniq  
 Subseries: Bioniq Square Deep  
 Brand: Prolicht  
 Division: Architectural  
 Mounting Type: Trimless  
 Mounting Location: Ceiling  
 Subcategory: Downlight

#### PHYSICAL

Diameter (mm): 95  
 Diameter (in): 3 3/4  
 Length (mm): 106  
 Length (in): 4 3/16  
 Width (mm): 106  
 Width (in): 4 3/16  
 Height (mm): 150  
 Height (in): 5 7/8  
 Ceiling Thickness (mm): 10 / 12.5 / 15 / 25  
 Ceiling Thickness (in): 3/8 or 1/2 or 9/16 or 1  
 Min. Recessing Depth (mm): 170  
 Min. Recessing Depth (in): 6 11/16  
 Light Distribution: Downlight  
 Weight (kg): 0.688  
 Weight (lbs): 1.52  
 Fixture Finish: SSR / BKV / CWI / CRY / HAB / UFT / ITA / RUA / FTG / MYG / LOD / PUS / FRO / FUP / KIA / POP / BLS / SPG / MEY / GOH / GUM / CHC / COM / ABZ / JAG / OBR / MOS / ROR  
 Fixture Material: Aluminum Die Cast  
 Cut-out Measurements: 120mm / 4 3/4" x 120mm / 4 3/4"  
 Upon Request: Unique Ceiling Thickness

#### ELECTRICAL

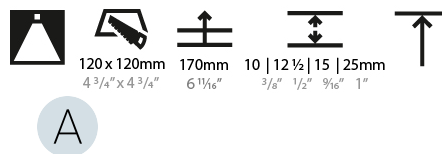
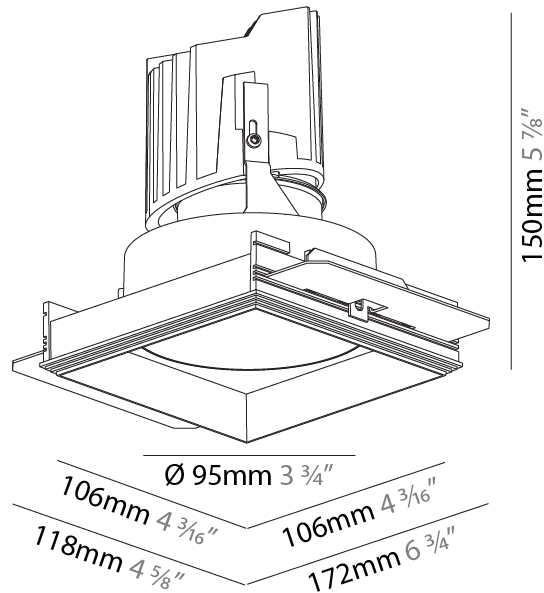
Lamp Type: LED (Zhaga Standard)  
 Input Wattage (W): 16.5  
 Total Output Wattage (W): 14.7  
 Dimming: Dali Dimming  
 Driver Included: No  
 Driver Location: Recessed Housing  
 Driver Type: Constant Current - 120Vac  
 Driver Class: Class 2  
 Housing: See Components  
 Input Voltage (V): 120  
 Constant Current (MA): 350

#### LED

Number of LEDs: 1  
 Color Temperature (°K): Warm Dim  
 Max. Delivered Lumen (lm): 770  
 Nominal Lumen (lm): 1140  
 CRI: >90 CRI  
 Lamp Life (hrs): 50000  
 Upon Request: RGB-W Tunable White Special Color Temperature Special LED

#### OPTICAL

Reflector: 20 / 40 / 60  
 Upon Request: Special Beam Angles



#### RATINGS AND CERTIFICATIONS

Zaneen Group, Inc. 6260 Folsom Blvd, Suite 3382, F 416-247-9319, www.zaneen.com  
 Certified By: Certified for North American Standards  
 In a constant effort to supply the best product, we reserve the right to change specifications or materials without notice. The most recent specification sheets are found at zaneen.com

## BIONIQ SQUARE DEEP TRIMLESS

A35532-

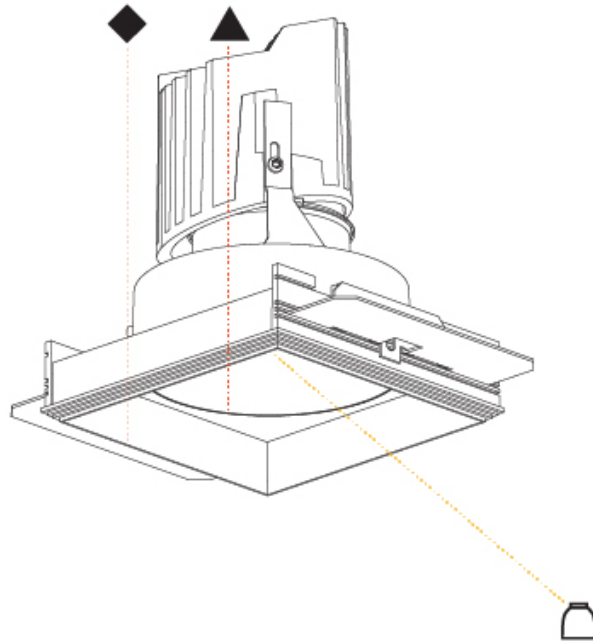
PROJECT

TYPE

SPECIFIER

QUANTITY

DATE





## BIONIQ SQUARE DEEP COMFORT TRIMLESS

### A35533-

base number    Finishes (Diamond)    Finishes (Triangle)    Ceiling Thickness    Reflector Options

PROJECT
TYPE
SPECIFIER
QUANTITY
DATE

- To build a product code in our configurator select the specify button on the base model # product page
- To build a manual product code on this datasheet choose from the options listed below in blue font and add the suffix to the base model #

#### GENERAL

Series: Bioniq  
 Subseries: Bioniq Square Deep Comfort  
 Brand: Prolicht  
 Division: Architectural  
 Mounting Type: Trimless  
 Mounting Location: Ceiling  
 Subcategory: Downlight

#### PHYSICAL

Shape: Square  
 Length (mm): 106  
 Length (in): 4 3/16  
 Width (mm): 106  
 Width (in): 4 3/16  
 Height (mm): 150  
 Height (in): 5 7/8  
 Ceiling Thickness (mm): 10 / 12.5 / 15 / 25  
 Ceiling Thickness (in): 3/8 or 1/2 or 9/16 or 1  
 Min. Recessing Depth (mm): 170  
 Min. Recessing Depth (in): 6 11/16  
 Light Distribution: Downlight  
 Weight (kg): 0.769  
 Weight (lbs): 1.69  
 Fixture Finish: SSR / BKV / CWI / CRY / HAB / UFT / ITA / RUA / FTG / MYG / LOD / PUS / FRO / FUP / KIA / POP / BLS / SPG / MEY / GOH / GUM / CHC / COM / ABZ / JAG / OBR / MOS / ROR  
 Fixture Material: Aluminum Die Cast  
 Cut-out Measurements: 120mm / 4 3/4" x 120mm / 4 3/4"  
 Upon Request: Unique Ceiling Thickness

#### ELECTRICAL

Lamp Type: LED (Zhaga Standard)  
 Input Wattage (W): 16.5  
 Total Output Wattage (W): 14.7  
 Dimming: Dali Dimming  
 Driver Included: No  
 Driver Location: Recessed Housing  
 Driver Type: Constant Current - 120Vac  
 Driver Class: Class 2  
 Housing: See Components  
 Input Voltage (V): 120  
 Constant Current (MA): 350

#### LED

Number of LEDs: 1  
 Max. Delivered Lumen (lm): 770  
 Nominal Lumen (lm): 1140  
 CRI: >90 CRI  
 Lamp Life (hrs): 50000  
 Upon Request: RGB-W Tunable White Special Color Temperature Special LED

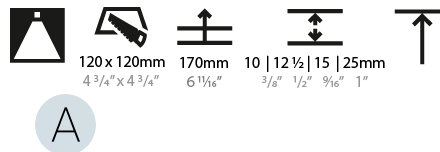
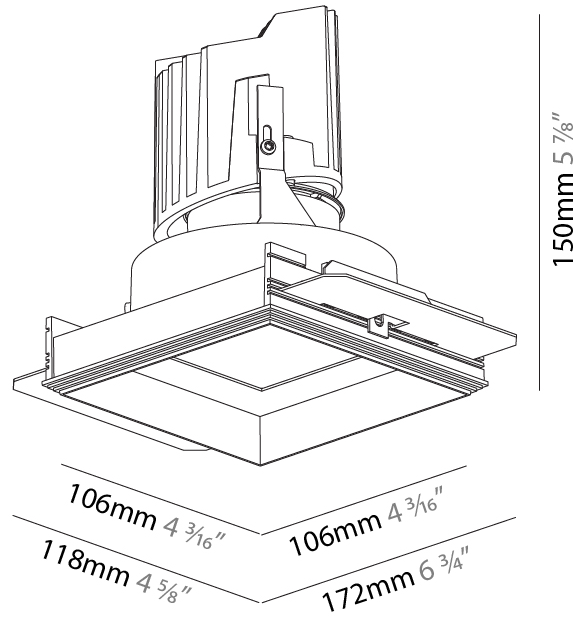
#### OPTICAL

Reflector: 20 / 40 / 60  
 Upon Request: Special Beam Angles

#### RATINGS AND CERTIFICATIONS

Certified By: Certified for North American Standards

IP rating: IP20  
 Zaneen Company Inc. © 2024, T 1800-388-3382, F 416-247-9319, www.zaneen.com



## BIONIQ SQUARE DEEP COMFORT TRIMLESS

A35533-

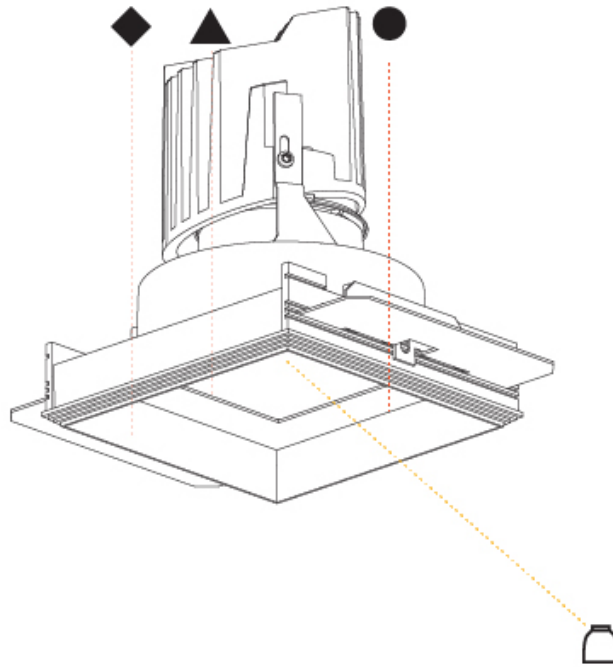
PROJECT

TYPE

SPECIFIER

QUANTITY

DATE



PROJECT	
TYPE	
SPECIFIER	
QUANTITY	
DATE	

## BIONIQ ROUND ADJUSTABLE RECESSED

**A35542-** -

base number    Finishes (Diamond)    Reflector Options

- To build a product code in our configurator select the specify button on the base model # product page
- To build a manual product code on this datasheet choose from the options listed below in blue font and add the suffix to the base model #

### GENERAL

Series: Bioniq  
 Subseries: Bioniq Round Adjustable  
 Brand: Prolicht  
 Division: Architectural  
 Mounting Type: Recessed  
 Mounting Location: Ceiling  
 Subcategory: Downlight

### PHYSICAL

Shape: Round  
 Diameter (mm): 107  
 Diameter (in): 4 3/16  
 Height (mm): 112  
 Height (in): 4 7/16  
 Min. Recessing Depth (mm): 130  
 Min. Recessing Depth (in): 5 1/8  
 Light Distribution: Adjustable / Downlight  
 Weight (kg): 0.46  
 Weight (lbs): 1.01  
 Fixture Finish: [SSR / BKV / CWI / CRY / HAB / UFT / ITA / RUA / FTG / MYG / LOD / PUS / FRO / FUP / KIA / POP / BLS / SPG / MEY / GOH / GUM / CHC / COM / ABZ / JAG / OBR / MOS / ROR](#)  
 Fixture Material: Aluminum Die Cast  
 Cut-out Measurements: 98mm / 3 7/8"

### ELECTRICAL

Lamp Type: LED (Zhaga Standard)  
 Input Wattage (W): 16.5  
 Total Output Wattage (W): 14.7  
 Dimming: Dali Dimming  
 Driver Included: No  
 Driver Location: Recessed Housing  
 Driver Type: Constant Current - 120Vac  
 Driver Class: Class 2  
 Input Voltage (V): 120  
 Constant Current (MA): 350

### LED

Number of LEDs: 1  
 Color Temperature (°K): Warm Dim  
 Max. Delivered Lumen (lm): 760  
 Nominal Lumen (lm): 1140  
 CRI: >90 CRI

### OPTICAL

Reflector°: [20 / 40 / 60](#)  
 Adjustability: Rotational 355°; Tilt 30°

### RATINGS AND CERTIFICATIONS

Certified By: Certified for North American Standards  
 IP rating: IP20



## BIONIQ ROUND ADJUSTABLE RECESSED

A35542-

PROJECT

TYPE

SPECIFIER

QUANTITY

DATE



## BIONIQ ROUND DEEP RECESSED

**A35544-** \_\_\_\_\_ - \_\_\_\_\_

base number    Finishes (Diamond)    Reflector Options

- To build a product code in our configurator select the specify button on the base model # product page
- To build a manual product code on this datasheet choose from the options listed below in blue font and add the suffix to the base model #

### GENERAL

Series: Bioniq  
 Subseries: Bioniq Round Deep  
 Brand: Prolicht  
 Division: Architectural  
 Mounting Type: Recessed  
 Mounting Location: Ceiling  
 Subcategory: Downlight

### PHYSICAL

Shape: Round  
 Diameter (mm): 107  
 Diameter (in): 4 3/16  
 Height (mm): 130  
 Height (in): 5 1/8  
 Ceiling Thickness (mm): 10 / 12.5 / 15  
 Ceiling Thickness (in): 3/8 or 1/2 or 9/16  
 Min. Recessing Depth (mm): 150  
 Min. Recessing Depth (in): 5 7/8  
 Light Distribution: Downlight  
 Weight (kg): 0.506  
 Weight (lbs): 1.12  
 Fixture Finish: SSR / BKV / CWI / CRY / HAB / UFT / ITA / RUA / FTG / MYG / LOD / PUS / FRO / FUP / KIA / POP / BLS / SPG / MEY / GOH / GUM / CHC / COM / ABZ / JAG / OBR / MOS / ROR  
 Fixture Material: Aluminum Die Cast  
 Cut-out Measurements: 98mm / 3 7/8"

### ELECTRICAL

Lamp Type: LED (Zhaga Standard)  
 Total Output Wattage (W): 15  
 Dimming: Dali Dimming  
 Driver Included: No  
 Driver Location: Recessed Housing  
 Driver Type: Constant Current - 120Vac  
 Housing: See components  
 Input Voltage (V): 120  
 Constant Current (MA): 350

### LED

Number of LEDs: 1  
 Color Temperature (°K): Warm Dim  
 Max. Delivered Lumen (lm): 760  
 Nominal Lumen (lm): 1140  
 CRI: >90 CRI

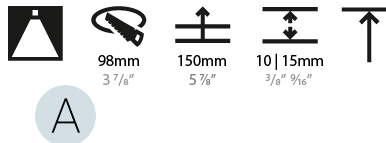
### OPTICAL

Reflector: 20 / 40 / 60

### RATINGS AND CERTIFICATIONS

Certified By: Certified for North American Standards  
 IP rating: IP20

PROJECT
TYPE
SPECIFIER
QUANTITY
DATE



## BIONIQ ROUND DEEP RECESSED

A35544-

PROJECT \_\_\_\_\_

TYPE \_\_\_\_\_

SPECIFIER \_\_\_\_\_

QUANTITY \_\_\_\_\_

DATE \_\_\_\_\_



## BIONIQ ROUND PINHOLE RECESSED

**A35545-** \_\_\_\_\_ - \_\_\_\_\_

base number    Finishes (Diamond)    Reflector Options

- To build a product code in our configurator select the specify button on the base model # product page
- To build a manual product code on this datasheet choose from the options listed below in blue font and add the suffix to the base model #

### GENERAL

Series: Bioniq  
 Subseries: Bioniq Round Pinhole  
 Brand: Prolicht  
 Division: Architectural  
 Mounting Type: Recessed  
 Mounting Location: Ceiling  
 Subcategory: Downlight

### PHYSICAL

Shape: Round  
 Diameter (mm): 107  
 Diameter (in): 4 3/16  
 Height (mm): 112  
 Height (in): 4 7/16  
 Ceiling Thickness (mm): 10 / 12.5 / 15  
 Ceiling Thickness (in): 3/8 or 1/2 or 9/16  
 Min. Recessing Depth (mm): 130  
 Min. Recessing Depth (in): 5 1/8  
 Light Distribution: Adjustable / Downlight  
 Weight (kg): 0.456  
 Weight (lbs): 1  
 Fixture Finish: SSR / BKV / CWI / CRY / HAB / UFT / ITA / RUA / FTG / MYG / LOD / PUS / FRO / FUP / KIA / POP / BLS / SPG / MEY / GOH / GUM / CHC / COM / ABZ / JAG / OBR / MOS / ROR  
 Fixture Material: Aluminum Die Cast  
 Cut-out Measurements: 98mm / 3 7/8"

### ELECTRICAL

Lamp Type: LED (Zhaga Standard)  
 Total Output Wattage (W): 15  
 Dimming: Dali Dimming  
 Driver Included: No  
 Driver Location: Recessed Housing  
 Driver Type: Constant Current - 120Vac  
 Housing: See components  
 Input Voltage (V): 120  
 Constant Current (MA): 350

### LED

Number of LEDs: 1  
 Color Temperature (°K): Warm Dim  
 Max. Delivered Lumen (lm): 760  
 Nominal Lumen (lm): 1140  
 CRI: >90 CRI  
 Lamp Life (hrs): 50000

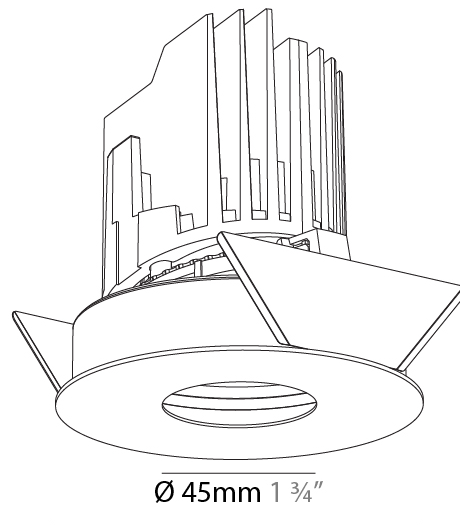
### OPTICAL

Reflector: 20 / 40 / 60  
 Adjustability: Rotational 355°, Tilt 30°

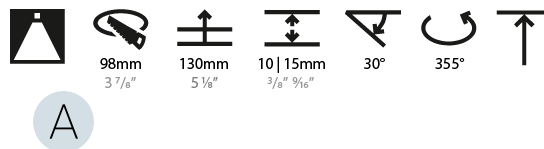
### RATINGS AND CERTIFICATIONS

Certified By: Certified for North American Standards  
 IP rating: IP20

PROJECT
TYPE
SPECIFIER
QUANTITY
DATE



112mm 4 7/16"



## BIONIQ ROUND PINHOLE RECESSED

A35545-

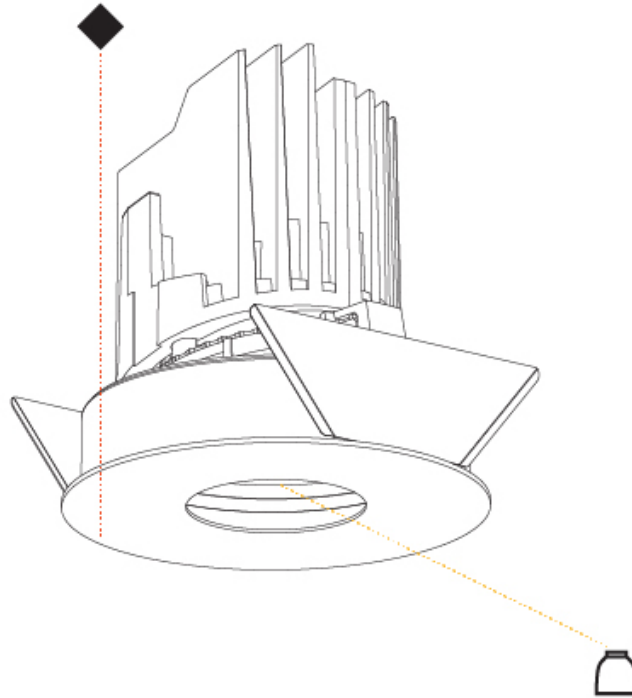
PROJECT

TYPE

SPECIFIER

QUANTITY

DATE



A



## BIONIQ ROUND SEMI ADJUSTABLE RECESSED

**A35546-** \_\_\_\_\_ - \_\_\_\_\_

base number    Finishes (Diamond)    Reflector Options

PROJECT
TYPE
SPECIFIER
QUANTITY
DATE

- To build a product code in our configurator select the specify button on the base model # product page
- To build a manual product code on this datasheet choose from the options listed below in blue font and add the suffix to the base model #

### GENERAL

Series: Bioniq  
 Subseries: Bioniq Round Semi Adjustable  
 Brand: Prolicht  
 Division: Architectural  
 Mounting Type: Recessed  
 Mounting Location: Ceiling  
 Subcategory: Downlight

### PHYSICAL

Shape: Round  
 Diameter (mm): 107  
 Diameter (in): 4 3/16  
 Height (mm): 112  
 Height (in): 4 7/16  
 Ceiling Thickness (mm): 10 / 12.5 / 15  
 Ceiling Thickness (in): 3/8 or 1/2 or 9/16  
 Min. Recessing Depth (mm): 130  
 Min. Recessing Depth (in): 5 1/8  
 Light Distribution: Adjustable / Downlight  
 Weight (kg): 0.435  
 Weight (lbs): 0.96  
 Fixture Finish: SSR / BKV / CWI / CRY / HAB / UFT / ITA / RUA / FTG / MYG / LOD / PUS / FRO / FUP / KIA / POP / BLS / SPG / MEY / GOH / GUM / CHC / COM / ABZ / JAG / OBR / MOS / ROR  
 Fixture Material: Aluminum Die Cast  
 Cut-out Measurements: 98mm / 3 7/8"

### ELECTRICAL

Lamp Type: LED (Zhaga Standard)  
 Total Output Wattage (W): 15  
 Dimming: Dali Dimming  
 Driver Included: No  
 Driver Location: Recessed Housing  
 Driver Type: Constant Current - 120Vac  
 Housing: See components  
 Input Voltage (V): 120  
 Constant Current (MA): 350

### LED

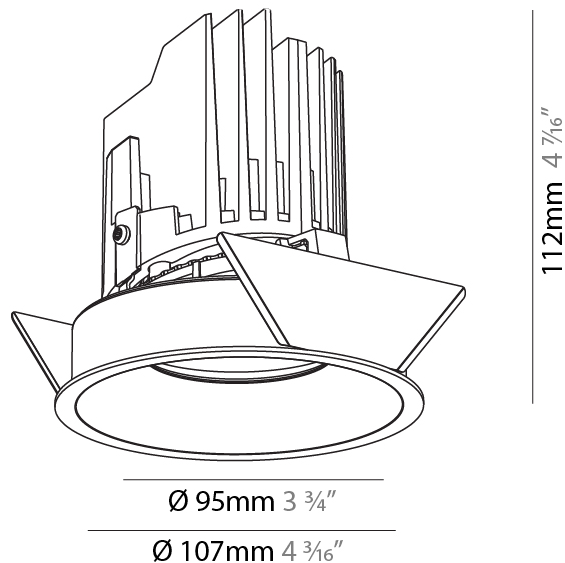
Number of LEDs: 1  
 Color Temperature (°K): Warm Dim  
 Max. Delivered Lumen (lm): 760  
 Nominal Lumen (lm): 1140  
 CRI: >90 CRI  
 Lamp Life (hrs): 50000

### OPTICAL

Reflector: 20 / 40 / 60  
 Adjustability: Rotational 355°, Tilt 10°

### RATINGS AND CERTIFICATIONS

Certified By: Certified for North American Standards  
 IP rating: IP20



## BIONIQ ROUND SEMI ADJUSTABLE RECESSED

A35546-

PROJECT

TYPE

SPECIFIER

QUANTITY

DATE



A

## BIONIQ ROUND WALLWASH RECESSED

**A35548-** \_\_\_\_\_ - \_\_\_\_\_

base number    Finishes (Diamond)    Reflector Options

- To build a product code in our configurator select the specify button on the base model # product page
- To build a manual product code on this datasheet choose from the options listed below in blue font and add the suffix to the base model #

### GENERAL

Series: Bioniq  
 Subseries: Bioniq Round Wallwash  
 Brand: Prolicht  
 Division: Architectural  
 Mounting Type: Recessed  
 Mounting Location: Ceiling  
 Subcategory: Downlight

### PHYSICAL

Shape: Round  
 Diameter (mm): 107  
 Diameter (in): 4 3/16  
 Height (mm): 118  
 Height (in): 4 5/8  
 Ceiling Thickness (mm): 10 / 12.5 / 15  
 Ceiling Thickness (in): 3/8 or 1/2 or 9/16  
 Min. Recessing Depth (mm): 140  
 Min. Recessing Depth (in): 5 1/2  
 Light Distribution: Adjustable / Asymmetric  
 Weight (kg): 0.456  
 Weight (lbs): 1  
 Fixture Finish: SSR / BKV / CWI / CRY / HAB / UFT / ITA / RUA / FTG / MYG / LOD / PUS / FRO / FUP / KIA / POP / BLS / SPG / MEY / GOH / GUM / CHC / COM / ABZ / JAG / OBR / MOS / ROR  
 Fixture Material: Aluminum Die Cast  
 Cut-out Measurements: 98mm / 3 7/8"

### ELECTRICAL

Lamp Type: LED (Zhaga Standard)  
 Total Output Wattage (W): 15  
 Dimming: Dali Dimming  
 Driver Included: No  
 Driver Location: Recessed Housing  
 Driver Type: Constant Current - 120Vac  
 Housing: See components  
 Input Voltage (V): 120  
 Constant Current (MA): 350

### LED

Number of LEDs: 1  
 Color Temperature (°K): Warm Dim  
 Max. Delivered Lumen (lm): 850  
 Nominal Lumen (lm): 1140  
 CRI: >90 CRI  
 Lamp Life (hrs): 50000

### OPTICAL

Reflector: 20 / 40 / 60  
 Adjustability: Fixed

### RATINGS AND CERTIFICATIONS

Certified By: Certified for North American Standards  
 IP rating: IP20

PROJECT	_____
TYPE	_____
SPECIFIER	_____
QUANTITY	_____
DATE	_____



## BIONIQ ROUND WALLWASH RECESSED

A35548-

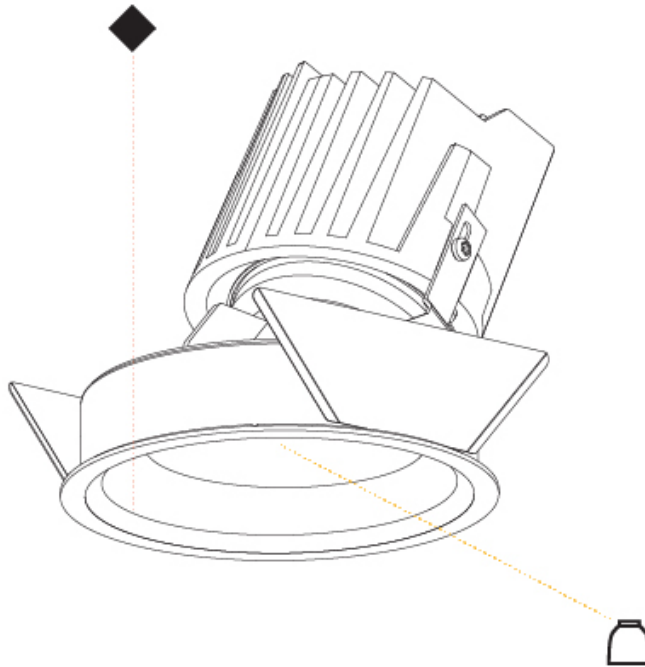
PROJECT

TYPE

SPECIFIER

QUANTITY

DATE



A

PROJECT	_____
TYPE	_____
SPECIFIER	_____
QUANTITY	_____
DATE	_____

## BIONIQ ROUND WALLWASH RECESSED

### A35549-

base number    Reflector  
Options

- To build a product code in our configurator select the specify button on the base model # product page
- To build a manual product code on this datasheet choose from the options listed below in blue font and add the suffix to the base model #

#### GENERAL

Series: Bioniq  
Subseries: Bioniq Round Wallwash  
Brand: Prolicht  
Division: Architectural  
Mounting Type: Recessed  
Mounting Location: Ceiling  
Subcategory: Downlight

#### PHYSICAL

Shape: Round  
Diameter (mm): 107  
Diameter (in): 4 3/16  
Height (mm): 118  
Height (in): 4 5/8  
Ceiling Thickness (mm): 10 / 12.5 / 15  
Ceiling Thickness (in): 3/8 or 1/2 or 9/16  
Min. Recessing Depth (mm): 140  
Min. Recessing Depth (in): 5 1/2  
Light Distribution: Adjustable / Asymmetric  
Weight (kg): 0.456  
Weight (lbs): 1  
Fixture Finish: Chrome  
Fixture Material: Aluminum Die Cast  
Cut-out Measurements: 98mm / 3 7/8"

#### ELECTRICAL

Lamp Type: LED (Zhaga Standard)  
Total Output Wattage (W): 15  
Dimming: Dali Dimming  
Driver Included: No  
Driver Location: Recessed Housing  
Driver Type: Constant Current - 120Vac  
Housing: See components  
Input Voltage (V): 120  
Constant Current (MA): 350

#### LED

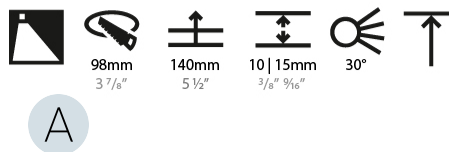
Number of LEDs: 1  
Color Temperature (°K): Warm Dim  
Max. Delivered Lumen (lm): 910  
Nominal Lumen (lm): 1140  
CRI: >90 CRI  
Lamp Life (hrs): 50000

#### OPTICAL

Reflector: 20 / 40 / 60

#### RATINGS AND CERTIFICATIONS

Certified By: Certified for North American Standards  
IP rating: IP20



## BIONIQ ROUND WALLWASH RECESSED

A35549-

PROJECT

TYPE

SPECIFIER

QUANTITY

DATE



PROJECT	
TYPE	
SPECIFIER	
QUANTITY	
DATE	

## BIONIQ SQUARE ADJUSTABLE RECESSED

### A35550-

base number	Finishes (Diamond)	Finishes (Triangle)	Reflector Options
-------------	-----------------------	------------------------	----------------------

- To build a product code in our configurator select the specify button on the base model # product page
- To build a manual product code on this datasheet choose from the options listed below in blue font and add the suffix to the base model #

#### GENERAL

Series: Bioniq  
 Subseries: Bioniq Square Adjustable  
 Brand: Prolicht  
 Division: Architectural  
 Mounting Type: Recessed  
 Mounting Location: Ceiling  
 Subcategory: Downlight

#### PHYSICAL

Shape: Square  
 Length (mm): 119  
 Length (in): 4 11/16  
 Width (mm): 119  
 Width (in): 4 11/16  
 Depth (mm): 132  
 Depth (in): 5 3/16  
 Min. Recessing Depth (mm): 150  
 Min. Recessing Depth (in): 5 7/8  
 Light Distribution: Adjustable / Downlight  
 Weight (kg): 0.544  
 Weight (lbs): 1.2  
 Fixture Finish: SSR / BKV / CWI / CRY / HAB / UFT / ITA / RUA / FTG / MYG / LOD / PUS / FRO / FUP / KIA / POP / BLS / SPG / MEY / GOH / GUM / CHC / COM / ABZ / JAG / OBR / MOS / ROR  
 Fixture Material: Aluminum Die Cast  
 Cut-out Measurements: 114mm / 4 1/2" x 114mm / 4 1/2"

#### ELECTRICAL

Lamp Type: LED (Zhaga Standard)  
 Total Output Wattage (W): 15  
 Dimming: Dali Dimming  
 Driver Included: No  
 Driver Location: Recessed Housing  
 Driver Type: Constant Current - 120Vac  
 Housing: See components  
 Input Voltage (V): 120  
 Constant Current (MA): 350

#### LED

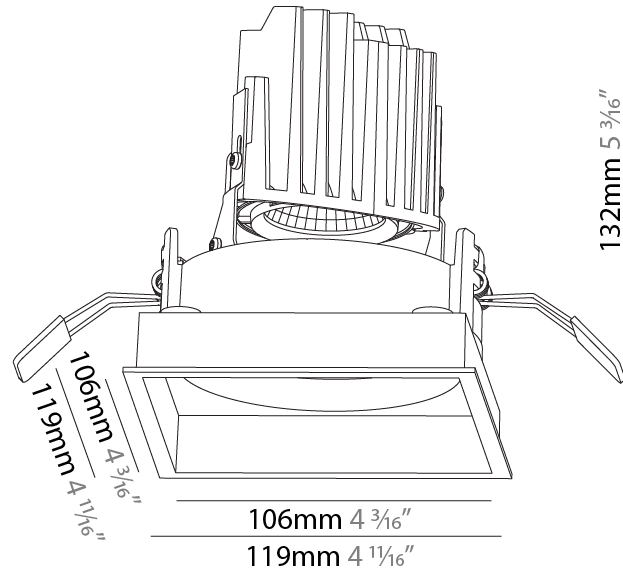
Number of LEDs: 1  
 Color Temperature (°K): Warm Dim  
 Max. Delivered Lumen (lm): 760  
 Nominal Lumen (lm): 1140  
 CRI: >90 CRI  
 Lamp Life (hrs): 50000

#### OPTICAL

Reflector°: 20 / 40 / 60  
 Adjustability: Rotational 355°; Tilt 30°

#### RATINGS AND CERTIFICATIONS

Certified By: Certified for North American Standards  
 IP rating: IP20



## BIONIQ SQUARE ADJUSTABLE RECESSED

A35550-

PROJECT	_____
TYPE	_____
SPECIFIER	_____
QUANTITY	_____
DATE	_____





## BIONIQ SQUARE ADJUSTABLE COMFORT RECESSED

**A35551-** \_\_\_\_\_  
 base number Finishes Finishes Finishes Reflector  
 (Diamond) (Triangle) (Circle) Options

- To build a product code in our configurator select the specify button on the base model # product page
- To build a manual product code on this datasheet choose from the options listed below in blue font and add the suffix to the base model #

### GENERAL

Series: Bioniq  
 Subseries: Bioniq Square Adjustable Comfort  
 Brand: Prolight  
 Division: Architectural  
 Mounting Type: Recessed  
 Mounting Location: Ceiling  
 Subcategory: Downlight

### PHYSICAL

Shape: Square  
 Length (mm): 119  
 Length (in): 4 11/16  
 Width (mm): 119  
 Width (in): 4 11/16  
 Depth (mm): 132  
 Depth (in): 5 3/16  
 Ceiling Thickness (mm): 10 / 12.5 / 15  
 Ceiling Thickness (in): 3/8 or 1/2 or 9/16  
 Min. Recessing Depth (mm): 150  
 Min. Recessing Depth (in): 5 7/8  
 Light Distribution: Adjustable / Downlight  
 Weight (kg): 0.607  
 Weight (lbs): 1.34  
 Fixture Finish: SSR / BKV / CWI / CRY / HAB / UFT / ITA / RUA / FTG / MYG / LOD / PUS / FRO / FUP / KIA / POP / BLS / SPG / MEY / GOH / GUM / CHC / COM / ABZ / JAG / OBR / MOS / ROR  
 Fixture Material: Aluminum Die Cast  
 Cut-out Measurements: 114mm / 4 1/2" x 114mm / 4 1/2"

### ELECTRICAL

Lamp Type: LED (Zhaga Standard)  
 Total Output Wattage (W): 15  
 Dimming: Dali Dimming  
 Driver Included: No  
 Driver Location: Recessed Housing  
 Driver Type: Constant Current - 120Vac  
 Housing: See components  
 Input Voltage (V): 120  
 Constant Current (MA): 350

### LED

Number of LEDs: 1  
 Color Temperature (°K): Warm Dim  
 Max. Delivered Lumen (lm): 760  
 Nominal Lumen (lm): 1140  
 CRI: >90 CRI  
 Lamp Life (hrs): 50000

### OPTICAL

Reflector: 20 / 40 / 60  
 Adjustability: Rotational 355°; Tilt 30°

### RATINGS AND CERTIFICATIONS

Certified By: Certified for North American Standards  
 IP rating: IP20



## BIONIQ SQUARE ADJUSTABLE COMFORT RECESSED

A35551-

PROJECT

TYPE

SPECIFIER

QUANTITY

DATE



A

PROJECT	_____
TYPE	_____
SPECIFIER	_____
QUANTITY	_____
DATE	_____

## BIONIQ SQUARE DEEP RECESSED

### A35552-

base number	Finishes (Diamond)	Finishes (Triangle)	Reflector Options
-------------	-----------------------	------------------------	----------------------

- To build a product code in our configurator select the specify button on the base model # product page
- To build a manual product code on this datasheet choose from the options listed below in blue font and add the suffix to the base model #

#### GENERAL

Series: Bioniq
Subseries: Bioniq Square Deep
Brand: Prolicht
Division: Architectural
Mounting Type: Recessed
Mounting Location: Ceiling
Subcategory: Downlight

#### PHYSICAL

Shape: Square
Length (mm): 119
Length (in): 4 11/16
Width (mm): 119
Width (in): 4 11/16
Depth (mm): 150
Depth (in): 5 7/8
Ceiling Thickness (mm): 10 / 12.5 / 15
Ceiling Thickness (in): 3/8 or 1/2 or 9/16
Min. Recessing Depth (mm): 170
Min. Recessing Depth (in): 6 11/16
Light Distribution: Downlight
Weight (kg): 0.592
Weight (lbs): 1.31

Fixture Finish: SSR / BKV / CWI / CRY / HAB / UFT / ITA / RUA / FTG / MYG / LOD / PUS / FRO / FUP / KIA / POP / BLS / SPG / MEY / GOH / GUM / CHC / COM / ABZ / JAG / OBR / MOS / ROR

Fixture Material: Aluminum Die Cast

Cut-out Measurements: 114mm / 4 1/2" x 114mm / 4 1/2"

#### ELECTRICAL

Lamp Type: LED (Zhaga Standard)
Total Output Wattage (W): 15
Dimming: Dali Dimming
Driver Included: No
Driver Location: Recessed Housing
Driver Type: Constant Current 120Vac
Housing: See components
Input Voltage (V): 120
Constant Current (MA): 350

#### LED

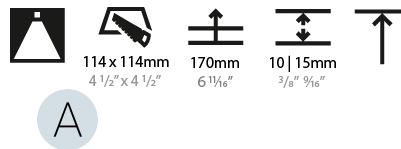
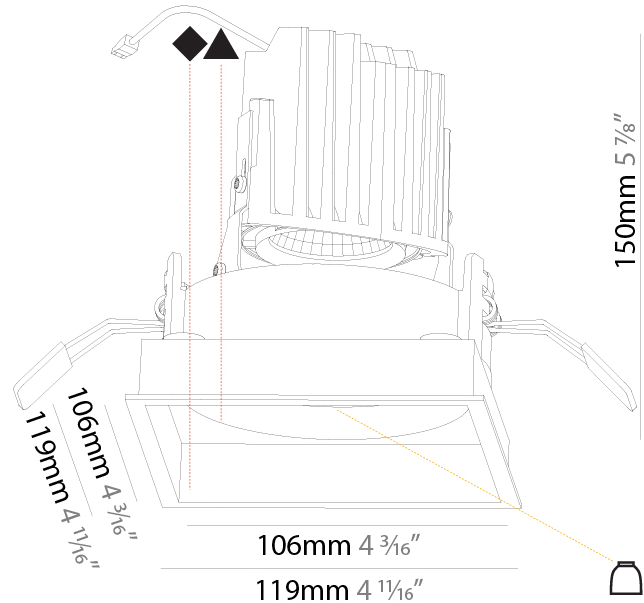
Number of LEDs: 1
Color Temperature (°K): Warm Dim
Max. Delivered Lumen (lm): 760
Nominal Lumen (lm): 1140
CRI: >90 CRI
Lamp Life (hrs): 50000

#### OPTICAL

Reflector°: 20 / 40 / 60
Adjustability: Rotational 355°; Tilt 30°

#### RATINGS AND CERTIFICATIONS

Certified By: Certified for North American Standards
IP rating: IP20



## BIONIQ SQUARE DEEP RECESSED

A35552-

PROJECT	_____
TYPE	_____
SPECIFIER	_____
QUANTITY	_____
DATE	_____



A

PROJECT	_____
TYPE	_____
SPECIFIER	_____
QUANTITY	_____
DATE	_____

## BIONIQ SQUARE DEEP COMFORT RECESSED

### A35553-

base number	Finishes (Diamond)	Finishes (Triangle)	Finishes (Circle)	Reflector Options
-------------	-----------------------	------------------------	----------------------	----------------------

- To build a product code in our configurator select the specify button on the base model # product page
- To build a manual product code on this datasheet choose from the options listed below in blue font and add the suffix to the base model #

#### GENERAL

Series: Bioniq
Subseries: Bioniq Square Deep Comfort
Brand: Prolicht
Division: Architectural
Mounting Type: Recessed
Mounting Location: Ceiling
Subcategory: Downlight

#### PHYSICAL

Shape: Square
Length (mm): 119
Length (in): 4 11/16
Width (mm): 119
Width (in): 4 11/16
Depth (mm): 150
Depth (in): 5 7/8
Ceiling Thickness (mm): 10 / 12.5 / 15
Ceiling Thickness (in): 3/8 or 1/2 or 9/16
Min. Recessing Depth (mm): 170
Min. Recessing Depth (in): 6 11/16
Light Distribution: Downlight
Weight (kg): 0.656
Weight (lbs): 1.45
Fixture Finish: SSR / BKV / CWI / CRY / HAB / UFT / ITA / RUA / FTG / MYG / LOD / PUS / FRO / FUP / KIA / POP / BLS / SPG / MEY / GOH / GUM / CHC / COM / ABZ / JAG / OBR / MOS / ROR
Fixture Material: Aluminum Die Cast
Cut-out Measurements: 114mm / 4 1/2" x 114mm / 4 1/2"

#### ELECTRICAL

Lamp Type: LED (Zhaga Standard)
Total Output Wattage (W): 15
Dimming: Dali Dimming
Driver Included: No
Driver Location: Recessed Housing
Driver Type: Constant Current - 120Vac
Housing: See components
Input Voltage (V): 120
Constant Current (MA): 350

#### LED

Number of LEDs: 1
Color Temperature (°K): Warm Dim
Max. Delivered Lumen (lm): 760
Nominal Lumen (lm): 1140
CRI: >90 CRI
Lamp Life (hrs): 50000

#### OPTICAL

Reflector: 20 / 40 / 60
-------------------------

#### RATINGS AND CERTIFICATIONS

Certified By: Certified for North American Standards
IP rating: IP20



## BIONIQ SQUARE DEEP COMFORT RECESSED

A35553-

PROJECT	_____
TYPE	_____
SPECIFIER	_____
QUANTITY	_____
DATE	_____



A

## BIONIQ SQUARE PINHOLE RECESSED

**A35554-** \_\_\_\_\_ - \_\_\_\_\_

base number    Finishes (Diamond)    Reflector Options

- To build a product code in our configurator select the specify button on the base model # product page
- To build a manual product code on this datasheet choose from the options listed below in blue font and add the suffix to the base model #

### GENERAL

Series: Bioniq  
 Subseries: Bioniq Square Pinhole  
 Brand: Prolicht  
 Division: Architectural  
 Mounting Type: Recessed  
 Mounting Location: Ceiling  
 Subcategory: Downlight

### PHYSICAL

Shape: Square  
 Length (mm): 107  
 Length (in): 4 <sup>3</sup>/<sub>16</sub>"  
 Width (mm): 107  
 Width (in): 4 <sup>3</sup>/<sub>16</sub>"  
 Depth (mm): 112  
 Depth (in): 4 <sup>7</sup>/<sub>16</sub>"  
 Ceiling Thickness (mm): 10 / 12.5 / 15  
 Ceiling Thickness (in): 3/8 or 1/2 or 9/16  
 Min. Recessing Depth (mm): 130  
 Min. Recessing Depth (in): 5 <sup>1</sup>/<sub>8</sub>"  
 Light Distribution: Adjustable / Downlight  
 Weight (kg): 0.463  
 Weight (lbs): 1.02  
 Fixture Finish: SSR / BKV / CWI / CRY / HAB / UFT / ITA / RUA / FTG / MYG / LOD / PUS / FRO / FUP / KIA / POP / BLS / SPG / MEY / GOH / GUM / CHC / COM / ABZ / JAG / OBR / MOS / ROR  
 Fixture Material: Aluminum Die Cast  
 Cut-out Measurements: 98mm / 3 7/8"

### ELECTRICAL

Lamp Type: LED (Zhaga Standard)  
 Total Output Wattage (W): 15  
 Dimming: Dali Dimming  
 Driver Included: No  
 Driver Location: Recessed Housing  
 Driver Type: Constant Current - 120Vac  
 Housing: See components  
 Input Voltage (V): 120  
 Constant Current (MA): 350

### LED

Number of LEDs: 1  
 Color Temperature (°K): Warm Dim  
 Max. Delivered Lumen (lm): 760  
 Nominal Lumen (lm): 1140  
 CRI: >90 CRI  
 Lamp Life (hrs): 50000

### OPTICAL

Reflector°: 20 / 40 / 60  
 Adjustability: Rotational 355°; Tilt 30°

### RATINGS AND CERTIFICATIONS

Certified By: Certified for North American Standards  
 IP rating: IP20



## BIONIQ SQUARE PINHOLE RECESSED

A35554-

PROJECT

TYPE

SPECIFIER

QUANTITY

DATE





PROJECT
TYPE
SPECIFIER
QUANTITY
DATE

### Fixture Finish



**Digital:** Not all screens are calibrated the same, and therefore, colors will appear differently between screens.

**Physical:** When texture is involved, there will be variations in color, character and tone within a product series and between product families.

**Gun Metal:** No Gun Metal finish is alike. It combines a mixture of transparent and black color particles which ensures a highly individual effect and no luminaire being identical.

**Champagne Cream, Copper Mine, Ancient Bronze + Jazz Gold:** These finishes have slight fading from specific powder coating production. Each luminaire will slightly vary.



PROJECT	
TYPE	
SPECIFIER	
QUANTITY	
DATE	

### LEGEND

	floor-mounted		pivotal		special LED (upon request) RGB, RGBW, tunable, gold+, meat+, art+, fashion+
	wall and ceiling: recessed and surface mounted		rotating		warm dim / natural dimming LED
	ceiling-mounted and wall-mounted		illuminate tilted		rechargeable battery powered
	wall-mounted		color of suspension cable		fixture with natural vivid LED (upon request)
	omni-directional light distribution		length of suspension cable		color rendering index
	direct light distribution		reflector degree selection		color temperature
	direct/indirect light distribution		super spot		lumen (luminous flux)
	indirect light distribution		lens		efficacy (lumens per watt)
	asymmetric light distribution		lens pack		Unified Glare Rating (UGR) range from 5-40
	aura light distribution		shine ring		marine grade (AISI 316 stainless steel)
	round wall or ceiling cut-out		integrated shine ring with diffuser		walk on
	square wall or ceiling cut-out		free individual colors 01-29		drive on
	the supplied jig specifies the cutout dimensions		individual colors: 00 (free of charge), 01-25 (extra charge)		Dark Sky Compliance
	minimum distance (meters) lamp - object		luminaire part to be colored (F1)		Americans with Disabilities Act (less than 4" off the wall located between 27"-84" from floor)
	recessed depth		luminaire part to be colored (F2)		lamp protected against explosion
	ceiling thickness in mm		luminaire part to be colored (F3)		blown glass using traditional methods by master glass blower
	ceiling thickness selection		luminaire part to be colored (F4)		acoustic material
	dimmable DP (phase), DV (0-10V), DD (dali), DS (step-dim)		luminaire part to be colored (F5)		protection class I, protection insulation
	included or excluded LED driver/transformer/control gear		color of 3-circuit adaptor		protection class II, protection insulation
	separately switchable		indirect diffuser		ETL Certified to UL and CSA Standards
	sensor		direct diffuser		UL Certified to UL and CSA Standards
	remote control		ball-proof (upon request)		CSA Certified to UL and CSA Standards
	available upon request		accessory		Certified for North American Standards

### IP RATING

	protected against ingress of solid bodies greater than 12.5mm (finger)
	protected against ingress of solid bodies greater than 2.5mm protected against sprays of water up to 60 degrees from the vertical (rain)
	protected against ingress of solid bodies greater than 1mm (wire) no protection against the ingress of moisture
	protected against ingress of solid bodies greater than 1mm (wire) protected against sprays of water up to 60 degrees from the vertical (rain)
	protected against ingress of solid bodies greater than 1mm (wire) protected against water splashed from all directions
	protected against limited ingress of dust (wet rooms/covered outdoor areas) protected against water splashed from all directions
	protected against ingress of dust protected against jets of water
	protected against ingress of dust protected against powerful jets of water or heavy seas
	protected against ingress of dust protected against immersion of water between 15cm - 1m for 30 minutes
	protected against ingress of dust protected against immersion of water under pressure for long periods

### IK RATING

	protected against 0.14 joules impact (equivalent to 0.25kg mass dropped from 56mm above the surface)
	protected against 0.2 joules impact (equivalent to 0.25kg mass dropped from 80mm above the surface)
	protected against 0.35 joules impact (equivalent to 0.25kg mass dropped from 140mm above the surface)
	protected against 0.5 joules impact (equivalent to 0.25kg mass dropped from 200mm above the surface)
	protected against 0.7 joules impact (equivalent to 0.25kg mass dropped from 280mm above the surface)
	protected against 1 joules impact (equivalent to 0.25kg mass dropped from 400mm above the surface)
	protected against 2 joules impact (equivalent to 0.5kg mass dropped from 400mm above the surface)
	protected against 5 joules impact (equivalent to 1.7kg mass dropped from 300mm above the surface)
	protected against 10 joules impact (equivalent to 5.0kg mass dropped from 200mm above the surface)
	protected against 20 joules impact (equivalent to 5.0kg mass dropped from 400mm above the surface)